



**AI Baraka Pack**  
PACKING & PACKAGING COMPANY

# **PRODUCTS** **CATALOGUE**

**SAUCE CONTAINERS, BOWLS AND CUPS**



[WWW.ALBARAKAPACK.COM](http://WWW.ALBARAKAPACK.COM)

## ABOUT AL BARAKA PACK

The company was established to find integrated solutions for packing and packaging products. With more than 17 years of experience in this field, the company ensured to possess the most advanced technology the world has reached in this field.

With fruitful cooperation with customers and studying the consumer demand we can create added value of the product and supplying the integrated service.

PP (Polypropylene) & PET material is used in manufacturing cups and packaging containers, it is optimal for food industry and considered as the most advanced technological achieved in the field of plastic packaging containers.

The products are subjected to intensified lab tests to insure the safety of the products and to meet the optimal standard specifications. In addition to importing raw materials from the best international companies to insure the highest quality. The company is highly concerned with hygiene measures in all departments and manufacture its products under strict hygienic conditions.

## QUALITY

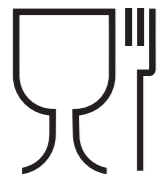
Our main principle is to constantly investigate and study our production cycle in order to ensure that the highest quality is achieved. Intensive measurements are taken starting from raw material inspection, lab tests and ending with customers' feedback.

Strict tests vs and investigations are implicated in our company. As well as multiple hygienic measurements and quality control measurements of products are taken to ensure that the highest standards are met.

## MATERIAL

There are multiple materials found for packing and packaging products what we use in our company is PET (Polyethylene terephthalate) and PP (Polypropylene).

Both of which are %100 safe for food products. We import our raw material from leading manufacturing companies in the world.



## MISSION



To offer a wide range of packing and packaging products that meet the requirements of customers at the highest standards.

## VISION

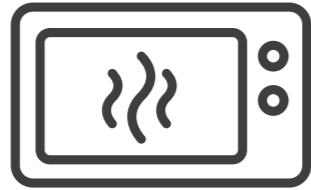


To become the leaders in exporting packing and packaging products to Middle East, Africa and Europe.

## FACTS

More than 17 years of experience in this field.  
First company in Egypt to employ the highest technology the world has reached in PET sheets.





All **PP** products  
are microwaveable oven safe.



All **PET** products are suitable  
for cold packaging only.

# Product #Code



## DETAILS



Diameter



Hight



Color



Cartoon Size



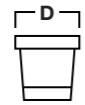
Quantity

PET/PP

# SAUCE CONTAINERS



#3.5 Oz Sauce Container



92mm



29.6mm



Transparent/Black



46.5x37.5x26.5 CM



1000 PCS

PET/PP

#4 Oz Sauce Container



92mm



29.6mm



Transparent/Black



46.5x37.5x26.5 CM



1000 PCS

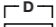

PET/PP



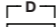



# BOWLS



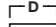






 **92mm**  
 **39.4mm**  
 **Transparent/Black**  
 **47x38x36.5 CM**  
 **1000 PCS**  
**PET/PP**



 **92mm**  
 **49.4mm**  
 **Transparent/Black**  
 **47x38x37.5 CM**  
 **1000 PCS**  
**PET/PP**



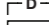
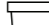



 **92mm**  
 **59.4mm**  
 **Transparent/Black**  
 **47x38x38.5 CM**  
 **1000 PCS**  
**PET/PP**

# CUPS





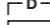
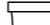



#10 Oz Cup

-  **92mm**
-  **90mm**
-  **Transparent**
-  **47x38x37.5 CM**
-  **1000 PCS**

PET/PP



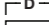
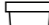

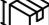

#12 Oz Cup

-  **92mm**
-  **101mm**
-  **Transparent**
-  **47x38x39.5 CM**
-  **1000 PCS**

PET/PP



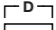



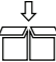
#14 Oz Cup

-  **92mm**
-  **99mm**
-  **Transparent**
-  **47x38x49 CM**
-  **1000 PCS**

PET/PP



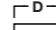



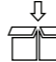
#16 Oz Cup

-  **92mm**
-  **113mm**
-  **Transparent**
-  **47x38x50 CM**
-  **1000 PCS**

PET/PP



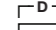




#18 Oz Cup

-  **92mm**
-  **131mm**
-  **Transparent**
-  **47x38x52 CM**
-  **1000 PCS**

PET/PP



#20 Oz Cup

-  **92mm**
-  **145mm**
-  **Transparent**
-  **47x38x53 CM**
-  **1000 PCS**

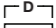



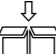
PET/PP

# LIDS





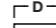



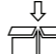
Flat Lid of 92mm

-  **92mm**
-  **N/A**
-  **Transparent**
-  **49.5x30x39.5 CM**
-  **1000 PCS**

PET/PP







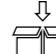
Half Dome Lid of 92mm

-  **92mm**
-  **32mm**
-  **Transparent**
-  **49.5x30x39.5 CM**
-  **1000 PCS**

PET/PP



Dome Lid of 92mm

-  **92mm**
-  **50mm**
-  **Transparent**
-  **49.5x32.5x39.5 CM**
-  **1000 PCS**

PET/PP

# SAUCE CONTAINERS





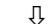


 **80mm**  
 **20mm**  
 **Transparent/Black**  
 **41x33x31 CM**  
 **1000 PCS**  
**PET/PP**

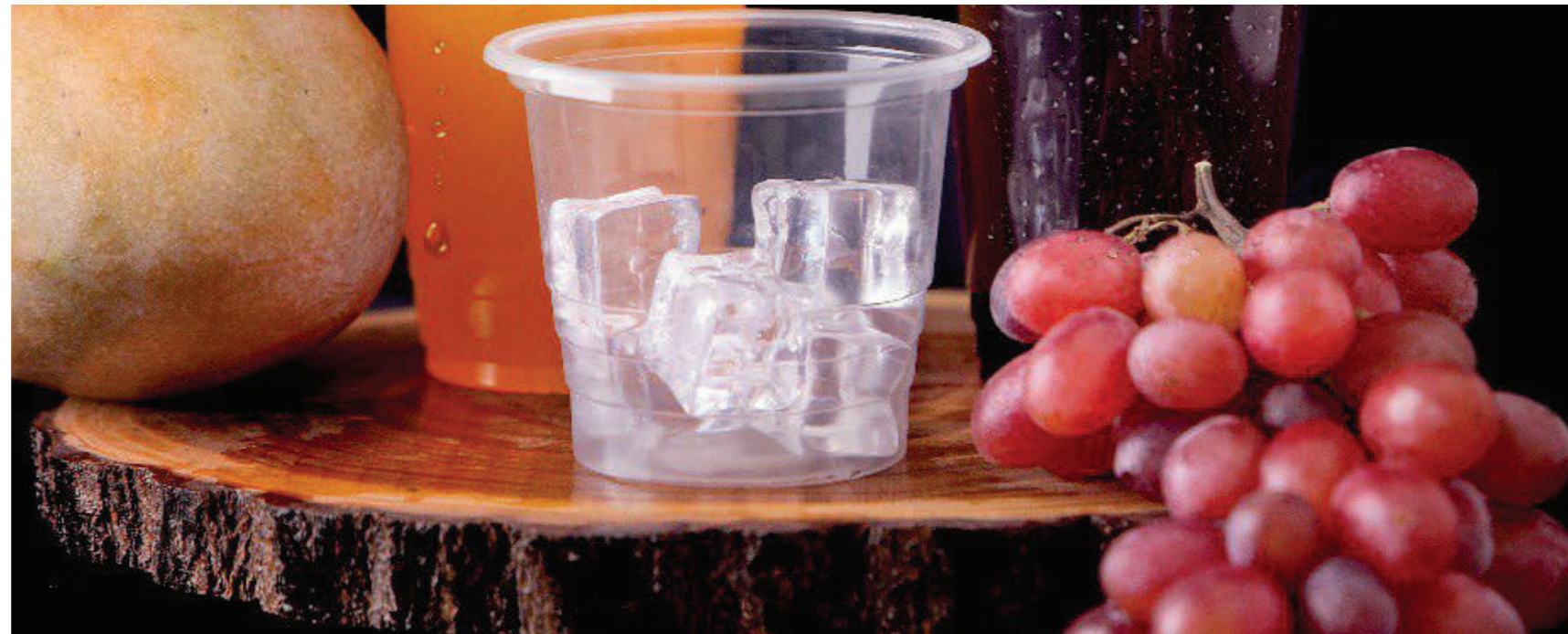


 **80mm**  
 **30mm**  
 **Transparent/Black**  
 **41x33x33 CM**  
 **1000 PCS**  
**PET/PP**

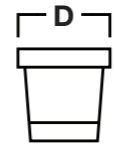


 **80mm**  
 **40mm**  
 **Transparent/Black**  
 **41x33x34 CM**  
 **1000 PCS**  
**PET/PP**

# BOWLS



## #6 Oz Bowl



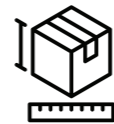
**80mm**



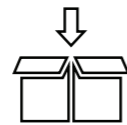
**65mm**



**Transparent/Black**



**41x33x36 CM**



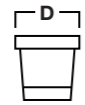
**1000 PCS**

**PET/PP**

# CUPS



#8 Oz Cup



**80mm**



**93.5mm**



**Transparent**



**41x33x36 CM**



**1000 PCS**

**PET/PP**

#12 Oz Cup



**80mm**



**115.5mm**



**Transparent**



**41x33x45 CM**



**1000 PCS**

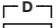




**PET/PP**

# LIDS





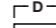




Flat Lid of 80mm

-  **80mm**
-  **N/A**
-  **Transparent**
-  **43x29x34.5 CM**
-  **1000 PCS**

PET/PP



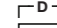




Half Dome Lid of 80mm

-  **80mm**
-  **32mm**
-  **Transparent**
-  **43x32x34.5 CM**
-  **1000 PCS**

PET/PP



Dome Lid of 80mm

-  **80mm**
-  **42mm**
-  **Transparent**
-  **43x32x34.5 CM**
-  **1000 PCS**

PET/PP

# THANK YOU



**Al Baraka Pack**  
PACKING & PACKAGING COMPANY



[WWW.ALBARAKAPACK.COM](http://WWW.ALBARAKAPACK.COM)